

GV-BX12201 12MP H.264 Low Lux WDR D/N Box IP Camera



- 1/1.7" progressive scan CMOS
- Dual streams from H.264 or MJPEG
- Up to 15 fps at 4000 x 3000, 30 fps at 3840 x 2160
- Built-in / external microphone
- 2-way audio
- One sensor input and alarm output
- TV-out support
- Mini USB slot for WiFi Adapter
- Wide Dynamic Range (WDR)
- Low Lux Enhancement
- 3D noise reduction
- Defog
- Motion detection
- Tampering alarm
- Privacy mask
- IP address filtering
- DC 12V / 24V AC / PoE (IEEE 802.3af)
- Built-in micro SD card slot for local storage
- Removable IR-cut filter for Day/Night function
- Varifocal megapixel lens
- Supports iPhone, iPad, Android & 3GPP
- 31 languages on Web interface
- ONVIF (Profile S) conformant
- Recording assigned by GV-Edge Recording Manager (Windows version)

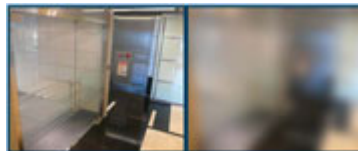
* No Memory card slot & local storage function for Argentina.

Active Tampering Alarm

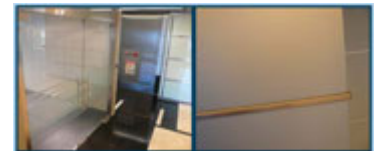
Tampered



Focus Change



Camera Shift

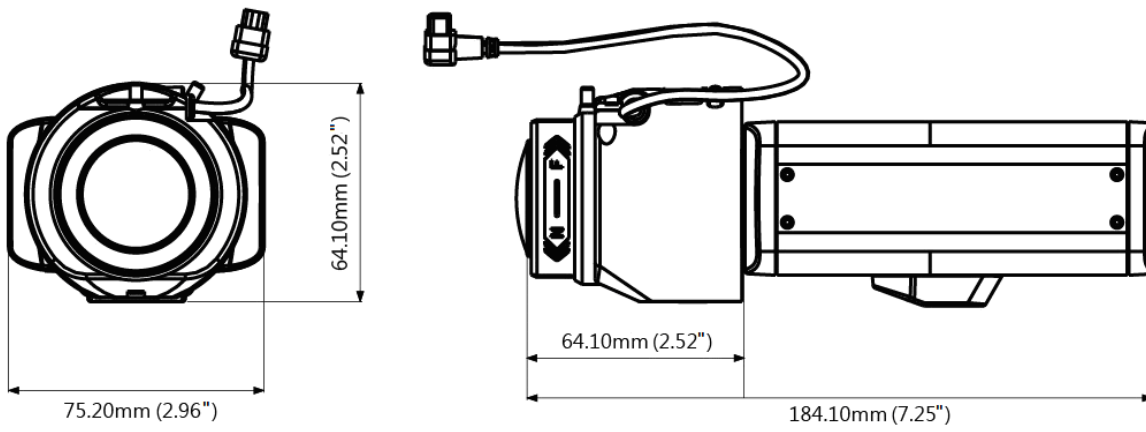


Introduction

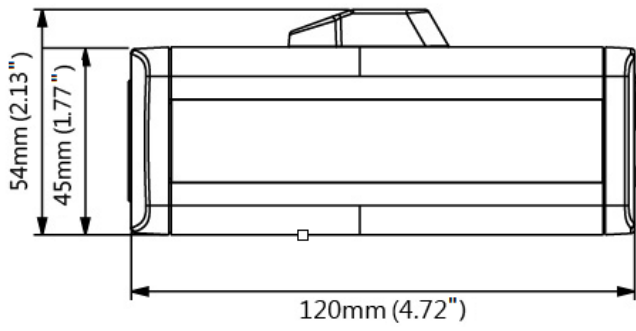
The GV-BX12201 is a dual-stream, day/night indoor IP camera containing a varifocal lens. The camera is equipped with a progressive scan CMOS image sensor. The camera features a 12 MP resolution, and the increased pixel density allows the camera to capture scenes of greater details.

Dimensions

With Lens



Without Lens



Specifications

PC Requirements		
CPU		Intel Core i5-4670, 3.40 GHz
Memory		DDR3 8 GB RAM
On Board Graphics		Intel HD Graphics 4600 (Versions of driver from year 2014 or later required)
Camera		
Image Sensor		1/1.7" progressive scan CMOS
Picture Elements		4000 (H) x 3000 (V)
Minimum Illumination	Color	0.1 Lux
	B/W	0.05 Lux
	IR ON	0 Lux
Shutter Speed		Automatic, Manual (1/30 ~ 1/16000 sec)
White Balance		Automatic, Manual (2800 ~ 8500K)
Gain Control		Automatic
S/N Ratio		52 dB
WDR		Yes
Lens		
Megapixel		Yes
Day/Night		Yes (with removable IR-cut filter)
Lens Type		Varifocal
Focal Length		4.1~ 9 mm
Maximum Aperture		F/1.6
Mount		CS Mount
Image Format		1/1.8"
Horizontal FOV		109° ~ 50°
Operation	Focus	Manual (w/lock)
	Zoom	Manual (w/lock)
	Iris	DC drive
Torque (Focus/Zoom screws)		Focus: 0.05 N.m Zoom: 0.035 N.m
Operation		
Video Compression		H.264, MJPEG
Video Streaming		Dual streams from H.264 or MJPEG
Frame Rate		15 fps at 4000 x 3000 30 fps at 3840 x 2160 * The frame rate and performance may vary depending on the number of connections and data bitrates (different scenes).
Image Setting		Brightness, Contrast, Saturation, Sharpness, Gamma, White Balance, Flicker-less, Image Orientation, Shutter Speed, D/N Sensitivity, Backlight Compensation, WDR, Defog, Denoise, Metering, Low Lux Enhancement
Audio Compression		G.711, AAC (optional)
Audio Support		Two-Way Audio
Sensor Input		1 input (Dry Contact)
Alarm Output		1 Digital Output (200mA 5V DC)
Video Resolution		
Main Stream	4:3	4000 x 3000, 2560 x 1920, 2048 x 1536, 1600 x 1200, 1280 x 960
	16:9	3840 x 2160, 1920 x 1080, 1280 x 720
	5:4	1280 x 1024
Sub Stream	4:3	1024 x 768, 640 x 480, 320 x 240
	16:9	1280 x 720, 640 x 360, 448 x 256
	5:4	1280 x 1024, 640 x 512, 320 x 256
Network		
Interface		10/100/1000 Ethernet
Protocol		HTTP, HTTPS, TCP, UDP, SMTP, FTP, DHCP, NTP, UPnP, DynDNS, 3GPP/ISMA, RTSP, PSIA, SNMP, QoS (DSCP), ONVIF (Profile S)
Wireless LAN		IEEE 802.11 b/g/n
Antenna Type		External
Security		WEP, WPA-PSK (TKIP), WPA-PSK (AES), WPA2-PSK (TKIP), WPA2-PSK (AES)
Mechanical		
Temperature Detector		Yes

Connectors	Power	2-pin terminal block, PoE
	Ethernet	RJ-45
	Audio	1 In (Using the built-in microphone or externally connecting a microphone) 1 Out (Stereo phone jack, 3.5 mm / 0.14 in)
	Digital I/O	3-pin terminal block, pitch 2.5 mm / 0.1 in
	Auto Iris	Yes (with varifocal lens)
	Local Storage	Micro SD card slot (SDHC/SDXC/UHS-I, Class 10) *UHS-II card type is not supported.
	TV-Out	BNC connector (640 x 480 resolution)
	Mini USB	GV-WiFi Adapter or USB hard drive
LED Indicator	2 LEDs: Power, Status	
General		
Operating Temperature	0 °C ~ 50 °C / 32 °F ~ 122 °F	
Humidity	10% to 90% (no condensation)	
Power Source	12V DC / 24V AC / PoE (IEEE 802.3af)	
Max. Power Consumption	6 W	
Dimensions (L X W X H)	Without lens: 120 x 75.2 x 54 mm (4.72" x 2.96" x 2.13") With lens: 184.1 x 75.2 x 64.1 mm (7.25" x 2.96" x 2.52")	
Weight	545 g / 1.2 lb	
Regulatory	CE, FCC, RCM, LVD, RoHS compliant	
Power over Ethernet		
PoE Standard	PoE (IEEE 802.3af Class 3 Power over Ethernet / PD)	
PoE Power Supply Type	End-Span	
PoE Power Output	Per Port 48V DC, 350mA. Max. 15.4 watts	
Web Interface		
Installation Management	Web-based configuration	
Maintenance	Firmware upgrade through Web Browser or Utility	
Access from Web Browser	Camera Live View, Video Recording, Change Video Quality, Bandwidth Control, Image Snapshot, Digital I/O control, Audio, Picture in Picture, Picture and Picture, Privacy Mask, Visual Automation, Tampering Alarm, Text Overlay, Digital PTZ	
Language	Arabic / Bulgarian / Czech / Danish / Dutch / English / Finnish / French / German / Greek / Hebrew / Hungarian / Indonesian / Italian / Japanese / Lithuanian / Norwegian / Persian / Polish / Portuguese / Romanian / Russian / Serbian / Simplified Chinese / Slovakian / Slovenian / Spanish / Swedish / Thai / Traditional Chinese / Turkish	
Applications		
Network Storage	GV-System (GV-DVR/NVR), GV-Backup Center, GV-Recording Server, and GV-VMS	
Smart Device Access	GV-Eye for iOS and Android	
Live Viewing	IE, mobile phone	
CMS Server support	GV-Control Center, GV-Center V2, GV-Vital Sign Monitor	

Note:

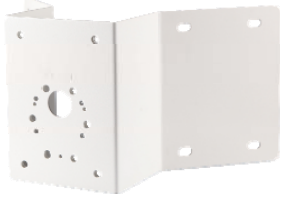
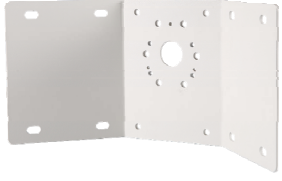



1. The signal range and data throughput may vary depending on the network conditions and environmental factors.
2. To connect a GV-WiFi Adapter, make sure it is connected before the camera is powered on.
3. Specifications are subject to change without notice.

Packing List

- | | |
|--|--------------------------------|
| 1. Box Camera | 7. Holder Screw x 2 |
| 2. Terminal Block | 8. Power Adapter |
| 3. Fixed Focal or Varifocal Megapixel Lens | 9. GV-IPCAM H.264 Software DVD |
| 4. Six Lens Rings | 10. GV-NVR Software DVD |
| 5. Video Out Wire | 11. Warranty Card |
| 6. Camera Holder | |

Note: The power adapter can be excluded upon request.

Accessories

Model No.	Name	Details
GV-Mount300	Convex Corner Adapter Kit 	Dimensions: 238.6 x 409.5 mm (9.4" x 16.1") Weight: 4.27 kg (9.41 lb)
GV-Mount310	Concave Corner Adapter Kit 	Dimensions: 123.3 x 393.1 mm (4.9" x 15.5") Weight: 2.96 kg (6.53 lb)
GV-Mount400	Pole Mount Bracket Kit (Ø 4" ~ 6") 	Dimensions Bracket: 241 x 161 mm (9.5" x 6.3") Weight: 1.70 kg (3.75 lb) Steel Strap Diameter: Ø 4" ~ 6"
GV-Mount410	Pole Mount Bracket Kit (Ø 6" ~ 7.5") 	Dimensions Bracket: 241 x 161 mm (9.5" x 6.3") Weight: 1.70 kg (3.75 lb) Steel Strap Diameter: Ø 6" ~ 7.5"
GV-PA191 PoE Adapter		Weight: 130 g / 0.29 lb Dimensions (H x W x D): 43 x 69 x 40 mm / 1.69 x 2.72 x 1.57 in

GV-WiFi Adaptor



Weight: 20 g / 0.04 lb

Dimensions (H x W x D): 15 x 15 x 155 (mm) / 0.59 x 0.59 x 6.10 (in)

Supplied with mini USB to standard USB adapter.

GV-Relay V2



The GV-Relay V2 is designed to expand the voltage load of GV IP devices. It provides 4 relay outputs, and each can be set as normally open (NO) or normally closed (NC) independently as per your requirement.

Power Adapter

Contact your sales representative for the countries and areas supported.

GV-POE Switch

The GV-POE Switch is designed to provide power along with network connection for IP devices. The GV-POE Switch is available in various models with different numbers and types of ports.
