

# AXIS Q6000-E Network Camera

## Full 360° overview with one-click PTZ control



- > Full 360° overview
- > 4 x HDTV 720p cameras
- > One-click PTZ control
- > Quick and easy installation
- > Compatible with any AXIS Q60-E model

AXIS Q6000-E integrated with an AXIS Q60-E is a new pioneering camera solution, offering full overview to detail in one click. This enables users to get full 360° overview, while simultaneously capturing every detail in full resolution with high pan/tilt/zoom precision. It is an ideal solution for city surveillance in market squares, parking lots and large open areas such as food courts in shopping malls.

AXIS Q6000-E features four 2-megapixel sensors, providing a complete 360° field of view over large areas. Integrated with an AXIS Q60-E camera, it is an ideal solution for capturing details of interest without missing the big picture.

This flexible and smart, situational awareness camera is easily integrated with any AXIS Q60-E camera model. No mounting brackets are required as AXIS Q6000-E uses the same brackets, network cables and power as the connected AXIS Q60-E.

With the use of two screens, this solution provides full overview video from AXIS Q6000-E and zoomed-in view from AXIS Q60-E, using the one-click PTZ control feature.

AXIS Q6000-E offers powerful event management capabilities with intelligent video features such as tampering alarm, motion detection and support for third-party applications.

*Mounting brackets and AXIS Q60-E are sold separately*





Left images: AXIS Q6000-E showing the four cameras in a split screen. Right image: AXIS Q60-E zoomed in on a specific object of interest.

### Getting all the details without missing the big picture



AXIS Q6000-E features four easily movable camera heads to adjust area of coverage

A single click on any object in AXIS Q6000-E view will trigger the AXIS Q60-E camera to zoom in on specific objects, providing a perfect high resolution image. AXIS Q6000-E enables easy, seamless transition between monitoring a wide area and specific objects with the optical zoom.

AXIS Q6000-E integrated with an AXIS Q60-E provides an ideal solution where there is a need to optically zoom in on details of interest with high precision while simultaneously being able to maintain an overview of large areas. AXIS Q6000-E, comprising four 2-megapixel sensors, provides a 360° field of view that covers up to 20,000 m<sup>2</sup> (215,000 sq ft) - about the size of four football fields.

Using two screens, one with an overview from AXIS Q6000-E and one with a zoomed-in view from AXIS Q60-E, operators are provided both with a high level of detail in full resolution and exceptional coverage of the entire area. This set-up makes it a great solution for full situational awareness.

### Easy enhancement of existing AXIS Q60-E installations



AXIS Q60-E PTZ Dome Network Camera mounted inside the AXIS Q6000-E

AXIS Q6000-E is compatible with any AXIS Q60-E, allowing existing installation with AXIS Q60-E to be upgraded. This offers operators a unique advantage to easily enhance their existing AXIS Q60-E installation, by adding on the possibility to maintain an overview of the entire monitored area, while capturing every detail. AXIS Q60-E PTZ domes are designed for round-the-clock pan/tilt/zoom operation in vast, outdoor environments.

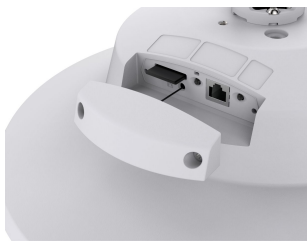




1) AXIS Q6000-E; 2) AXIS Q60-E; 3) AXIS Q6000-E with AXIS Q60-E

### Unique and extremely easy installation

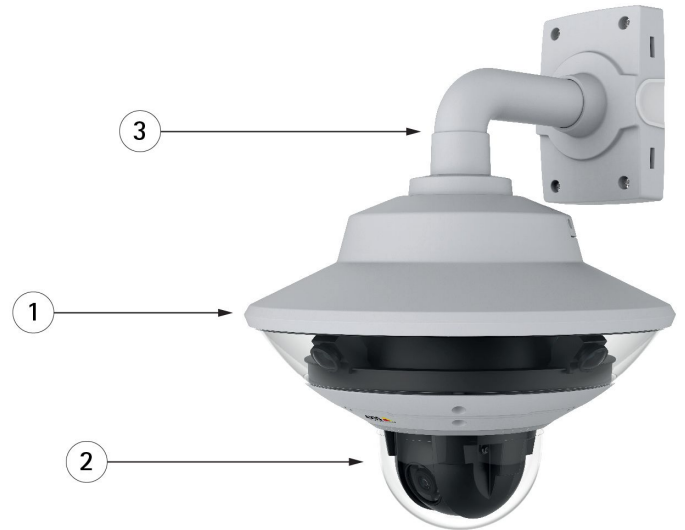
Any AXIS Q60-E camera is quickly and easily mounted inside the AXIS Q6000-E. There is no need for any mounting brackets or extra equipment as AXIS Q6000-E uses the same brackets and network cable as AXIS Q60-E, minimizing time and cost of installation. Furthermore, Power over Ethernet is supplied to both cameras through AXIS Q6000-E to ensure an easy installation.



AXIS Q6000-E features a separate network service port to allow direct connection for maintenance and configuration of the cameras, ensuring easy installation and reliable operation.

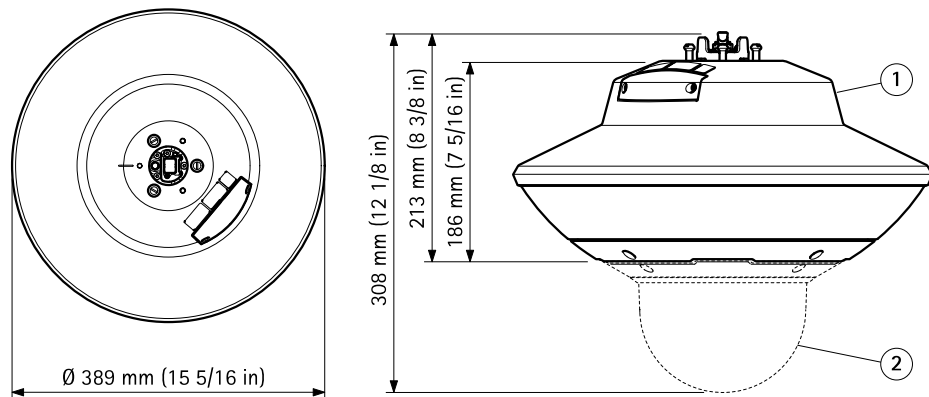
After the software set-up, the user can click on any object in the AXIS Q6000-E interface and the AXIS Q60-E will zoom in on that specific spot of interest. Using the one-click PTZ control, it allows AXIS Q60-E to provide superb zoomed-in views, for instance, making it possible to read a license plate at a distance of up to 300 m (984 ft).

The user interface with flexible live-view layout, and responsive PTZ control makes it possible to effectively manage both AXIS Q6000-E and AXIS Q60-E in a surveillance system.



1) AXIS Q6000-E  
2) New or existing AXIS Q60-E camera  
3) New or existing standard bracket

### Dimensions



# Technical Specifications - AXIS Q6000-E Network Camera

<b>Models</b>	AXIS Q6000-E 50Hz, AXIS Q6000-E 60Hz	<b>Event actions</b>	File upload: FTP, HTTP, HTTPS, Network share and email Notification: email, HTTP, HTTPS and TCP Video recording to edge storage Pre- and post-alarm video buffering Overlay text
<b>Camera</b>		<b>Data streaming</b>	Event data
<b>Supported cameras</b>	AXIS Q60-E cameras	<b>Built-in installation aids</b>	Pixel counter
<b>Image sensor</b>	4 x 1/2.8" 2MP Progressive scan RGB CMOS	<b>General</b>	
<b>Lens</b>	Fixed focus, Fixed iris, F2.0, Focal length: 1.37 mm, 152° view <sup>a</sup>	<b>Casing</b>	Die-casted aluminum, Polycarbonate dome
<b>Light sensitivity</b>	Color: 0.3 lux, F2.0	<b>Memory</b>	1 GB RAM, 256 MB Flash
<b>Shutter time</b>	1/45500 s to 4 s	<b>Power</b>	High PoE IEEE 802.3at Type 2 Class 4, max. 60 W
<b>Video</b>		<b>Connectors</b>	RJ45 10BASE-T/100BASE-TX/1000BASE-T PoE RJ45 10BASE-T/100BASE-TX Q60 port RJ45 10BASE-T/100BASE-TX Service port
<b>Video compression</b>	H.264 (MPEG-4 Part 10/AVC) Baseline, Main and High profiles Motion JPEG	<b>Edge storage</b>	SD/SDHC/SDXC slot supporting memory card up to 64 GB (card not included) Support for recording to dedicated network-attached storage (NAS)
<b>Resolutions</b>	4 x 1280x720 (HDTV 720p) to 320x180, default 960x720 Quad view 1920x1440 (4:3) to 320x180	<b>Operating conditions</b>	-30°C to 50°C (-22°F to 122°F) Humidity 10–100% RH (non-condensing) <i>Valid for AXIS Q6000-E/Q60-E</i>
<b>Frame rate</b>	Up to 25/30 fps (50/60 Hz) in all resolutions	<b>Approvals</b>	EMC EN 55022 Class A, EN 55024, EN 61000-6-1, EN 61000-6-2, EN 61000-3-2, EN 61000-3-3, EN 50121-4, FCC Part 15 Subpart B Class A, ICES-003 Class A, VCCI Class A, ITE, C-Tick AS/NZS CISPR 22 Class A, KCC KN22 Class A, KN24 Safety IEC/EN/UL 60950-1, IEC/EN/UL 60950-22 Environment EN 50581, IEC/EN 60529 IP66, IEC/EN 62262 IK10, NEMA 250 Type 4X, IEC 60068-2-1, IEC 60068-2-2, IEC 60068-2-6, IEC 60068-2-14, IEC 60068-2-27, IEC 60721-4-3 Class 4K3, 4M3
<b>Video streaming</b>	Multiple, individually configurable video streams in H.264 (Main, Base and High profile) and Motion JPEG Controllable frame rate and bandwidth MBR H.264	<b>Weight</b>	3.55 kg (7.8 lb)
<b>Image settings</b>	Resolution, Compression, Color level, Brightness, Sharpness, Contrast, White balance, Exposure value, Exposure control, Automatic backlight compensation, Exposure zones, Shutter & gain fine tuning of behavior at normal and low light, Privacy masks	<b>Included accessories</b>	Ethernet adaptor, Bayonet screws, Installation Guide, Installation and Management Software CD, Windows decoder 1-user license
<b>Network</b>		<b>Optional accessories</b>	AXIS T91A and AXIS T91B mounting accessories, AXIS T8124-E High PoE midspan, AXIS T8125 High PoE midspan
<b>Security</b>	Password protection, IP address filtering, HTTPS <sup>b</sup> encryption, IEEE 802.1X <sup>b</sup> network access control, Digest authentication, User access log, Centralized certificate management	<b>Warranty</b>	Axis 3-year warranty and AXIS Extended Warranty option, see <a href="http://www.axis.com/warranty">www.axis.com/warranty</a>
<b>Supported protocols</b>	IPv4/v6, HTTP, HTTPS <sup>b</sup> , SSL/TLS <sup>b</sup> , QoS Layer 3 DiffServ, FTP, CIFS/SMB, SMTP, Bonjour, UPnP <sup>TM</sup> , SNMP v1/v2c/v3(MIB-II), DNS, DynDNS, NTP, RTSP, RTP, TCP, UDP, IGMP, RTCP, ICMP, DHCP, ARP, SOCKS, SSH	<b>Footnote</b>	
<b>System integration</b>		a. <i>Horizontal angle of view</i> b. <i>This product includes software developed by the OpenSSL Project for use in the OpenSSL Toolkit. (www.openssl.org), and cryptographic software written by Eric Young (eay@cryptsoft.com).</i>	
<b>Application Programming Interface</b>	Open API for software integration, including VAPIX <sup>®</sup> and AXIS Camera Application Platform; specifications at <a href="http://www.axis.com">www.axis.com</a> AXIS Video Hosting System (AVHS) with One-Click Camera Connection. ONVIF Profile S, specification at <a href="http://www.onvif.org">www.onvif.org</a>	<b>More information is available at <a href="http://www.axis.com">www.axis.com</a></b>	
<b>Intelligent video</b>	Video motion detection, Active tampering alarm, Edge storage events, Shock detection, AXIS Camera Application Platform enabling installation of additional applications		
<b>Event triggers</b>	Detectors (Live Stream Accessed, Shock detection, Tampering) Hardware (Fan, Network, Temperature) Input signal (Manual Trigger, Virtual Input) Storage (Disruption, Recording) System (System Ready) Time		