



B8210

Quick Installation Guide

ZAVIG

860858600000

Zavio B8210 Quick Installation Guide

Please follow the installation steps below to set up your B8210 Bullet IP Camera.

Check the package contents against the list below. **See P.1**

Physical overview. **See P.2**

I/O Terminal Block Circuit. **See P.3**

I/O Terminal Block Pin Definition. **See P.3**

LED Indicator Definition. **See P.4**

Power mode. **See P.4**

Install the hardware and connect all cables. **See P.5**

Microsoft OS: Use the software CD to install Intelligent IP Installer. **See P.8**

Access the IP Camera using Intelligent IP Installer. **See P.8**

Mac OS using Safari Browser. **See P.11**

Lighting environment. **See P.11**

Change the Web Interface into your preferred language. **See P.12**

Application of IP Camera. **See P.12**

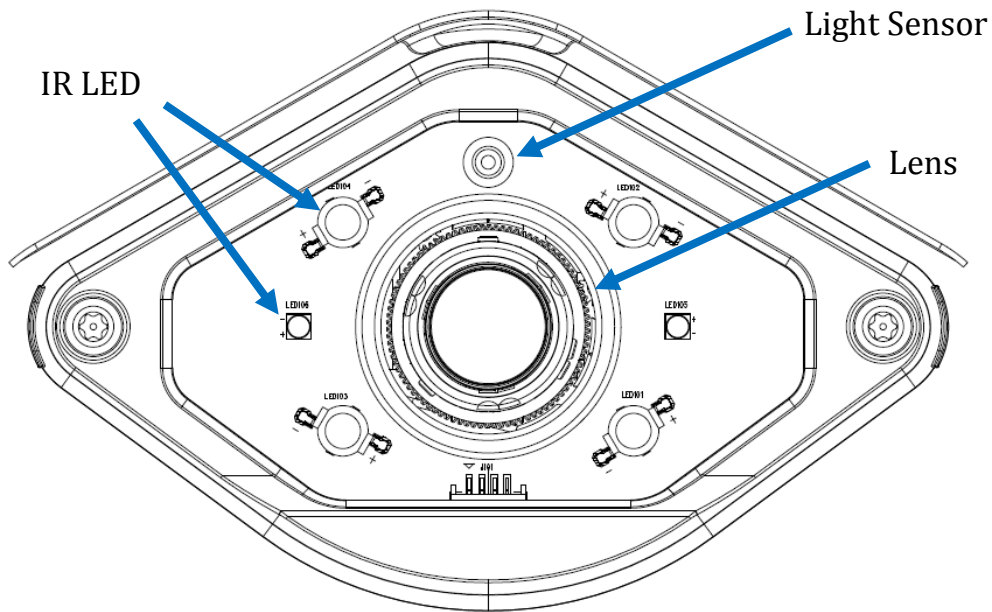
For more information, please check the User Manual available in the Software CD or you can download the latest software from <http://www.zavio.com>

Package Contents

Camera	B8210 IR Bullet Network Camera
Quick Installation Guide	Brief product information and quick installation
Software CD	IP Surveillance Software Intelligent IP Installer User Manuals Language Packs
Accessory	Sun shield and screws Wall mount bracket and wrench Metal plate for wall mount bracket Screw pack for wall and ceiling mounting Alignment sticker Body adapter Wrench for front&back cover Waterproof Connector Moisture Absorber Foam tape 2 pin terminal blocks for power Cat 5e Female Coupler

Physical overview

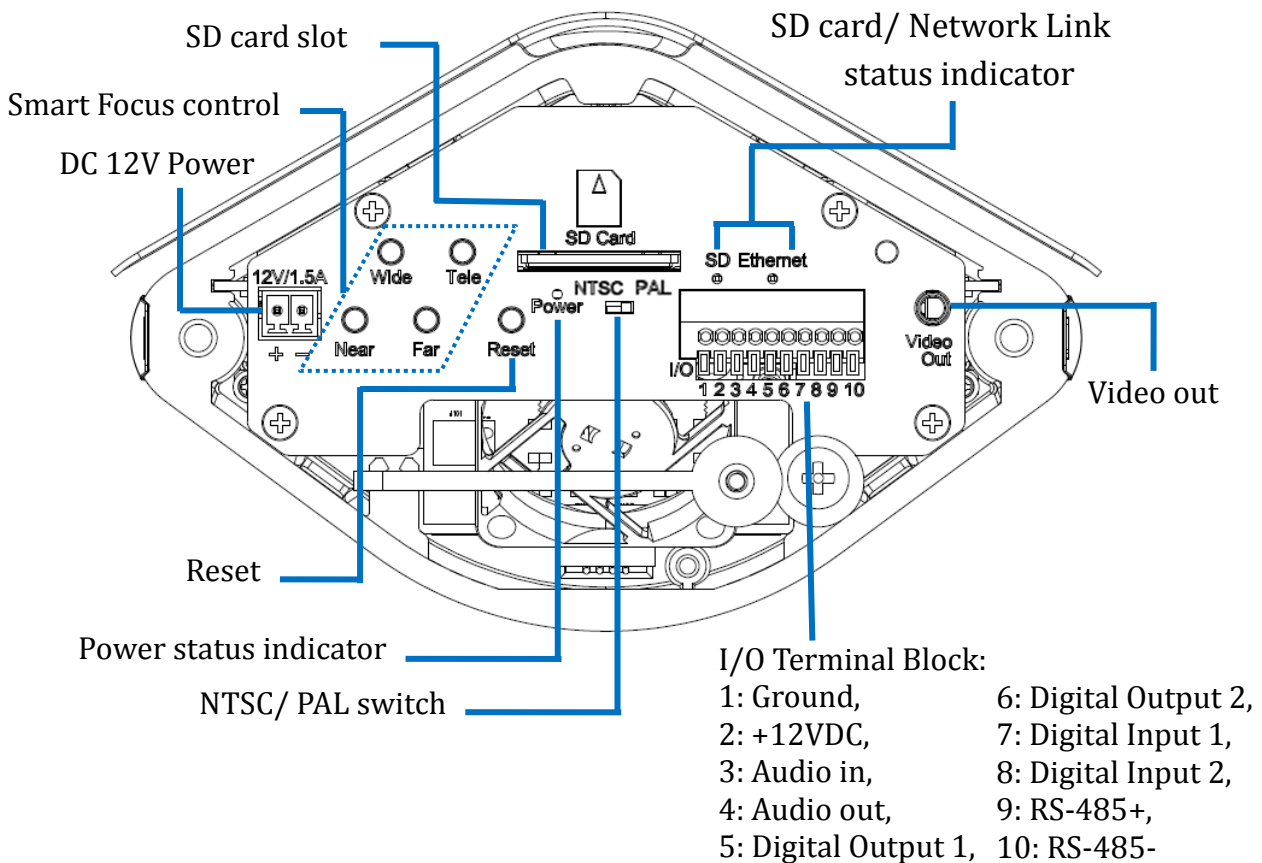
— Front —



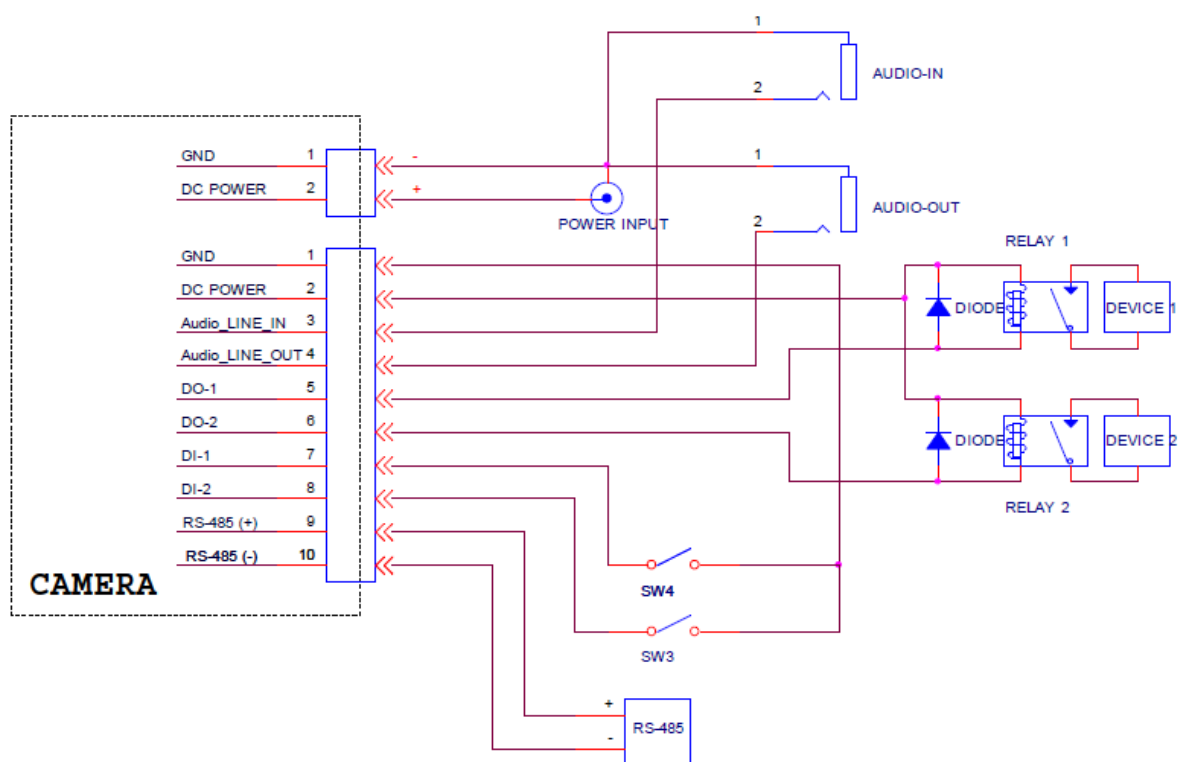
Warning:

The IR LED is classified as class 3B laser IR. It's hazardous and harmful if the eye is exposed directly. Please don't look straight at the LEDs during operation.

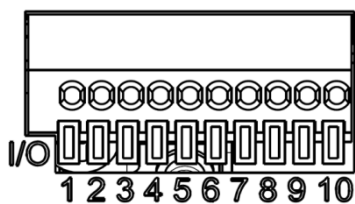
— Rear —



I/O Terminal Block Circuit



I/O Terminal Block Pin Definition



PIN	Definition	Description	Max. V/A
1	Ground		-
2	+ 12VDC		12V DC 1.2 W
3	Audio In	Unbalanced, 1.4Vp-p, 1Vrms, terminal block	-
4	Audio Out	Unbalanced, 1.4Vp-p, 1Vrms, terminal block	-
5	Digital Output 1	Uses an NPN transistor with the emitter connected to the GND pin. If used with an external relay, a diode must be connected in parallel with the load for protection against voltage transients.	100 mA 24V
6	Digital Output 2	Uses an NPN transistor with the emitter connected to the GND pin. If used with an external relay, a diode must be connected in parallel with the load for protection against voltage transients.	100 mA 24V
7	Digital Input 1	Connected to GND to activate, or leave floating (or unconnected) to deactivate.	30V DC
8	Digital Input 2	Connected to GND to activate, or leave floating (or unconnected) to deactivate.	30V DC
9	RS-485 +		-
10	RS-485 -		-

LED Indicator

LED	Color	Indication
Network	Blue	Steady blue for Network link
		Flash blue while Network activity
Power	Red	Steady red for booting up process
	Blue	Steady blue for booting up completion
	Unlit	when reset button pressed for at least 5 sec. to factory default
SD Card	Yellow	Steady yellow means SD card ready
		Flashes yellow while accessing SD card

Power Mode

PoE Mode	at	Power Requirement	PoE (IEEE802.3at) with Class 4
		Power Consumption	3.3 W, without IR/ Heater/ Fan 11.4 W, with max. IR on 12.8 W, with max. IR and Fan on 7.9 W, with max. Heater and Fan on 4.7 W, with max. Fan on 15.9 W, with max. IR/ Heater/ Fan
	af	Power Requirement	PoE (IEEE802.3af) with Class 3 Note: While IR on, Heater and Fan will be disabled.
		Power Consumption	3.6 W, without IR/ Heater/ Fan 11.7 W, with max. IR on
Adaptor Mode	Power Requirement		12V/1.5A Adaptor
	Power Consumption		3.5 W, without IR/ Heater/ Fan 11.9 W, with max. IR on 13.2 W, with max. IR and Fan on 7.8 W, with max. Heater and Fan on 4.9 W, with max. Fan on

Note: Heater and Fan will be activated while the inner temperature drops under 5°C and will be inactivated while it above 10°C. Fan will be activated while the inner temperature above 50°C and will be inactivated while it drops under 45°C.

Install the hardware and connect all cables

A. Hardware installation

a. Assembling sun shield and camera with two supplied screws (M5*6L).

Note: Please move the sun shield to secure the first screw on the fourth scale. (See figure 1)

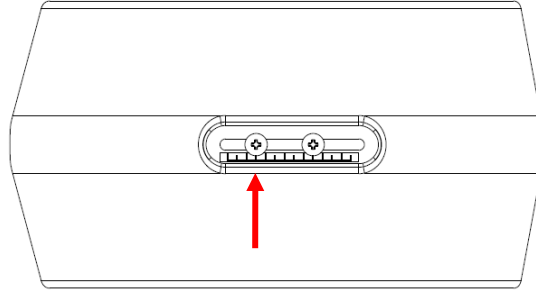


Figure 1

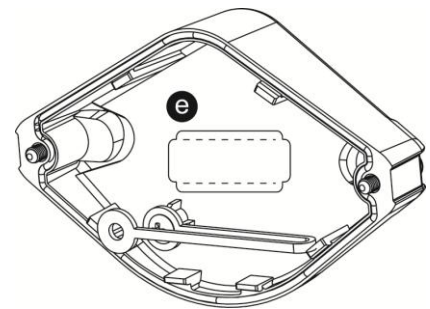
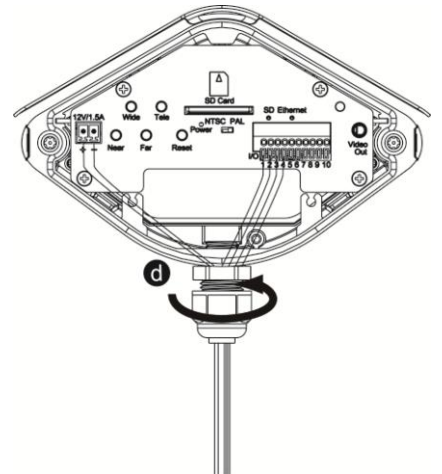
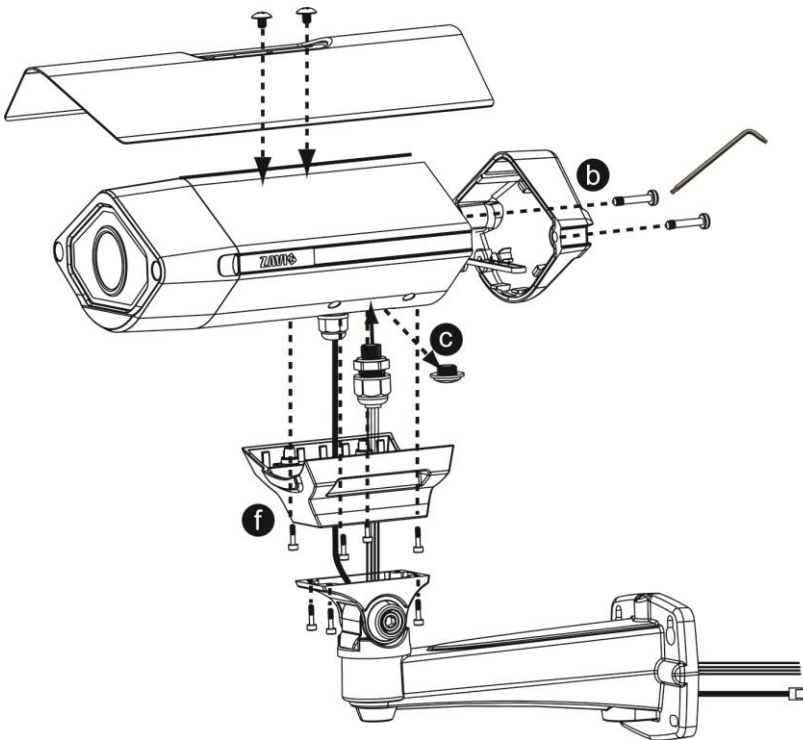
b. Use T25 wrench to loosen the back cover.

c. Take out the screw plug and change to M12 waterproof connector. Insert all cables (power cord/ DIDO/ video out) into the connector.

d. Feed all cables to the back manual plate and connect them to the specific sockets then secure waterproof connector tightly.

e. Attach the foam tape and moisture absorber on the back cover then secure the back cover back. (Please change a new moisture absorber if open the front/ back covers afterwards.)

f. Feed all cables through adapter and wall mount bracket if you use B8210 bracket, or let the cable through out the hole on right side of adapter if you use standard bracket. (Please see **B. Two way bracket installing.**) Then secure the screws (M3*12L).



B. Two ways bracket installation

a. Use B8210 supplied bracket

RJ45, power, D1DO, video out cables can be fed through the supplied adapter and bracket with cable management protected installation. (See figure 1)

b. Use standard bracket

Through our supplied adapter, there's alternative to use your selected standard bracket. Cables will be passed through the right side hole of adapter. (See figure 2)

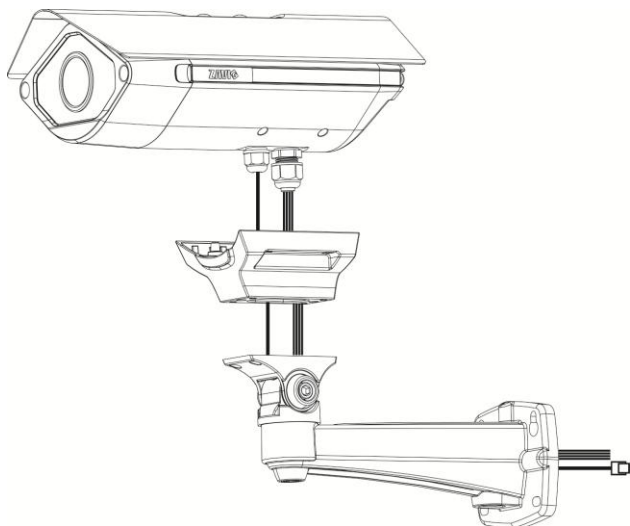


Figure 1

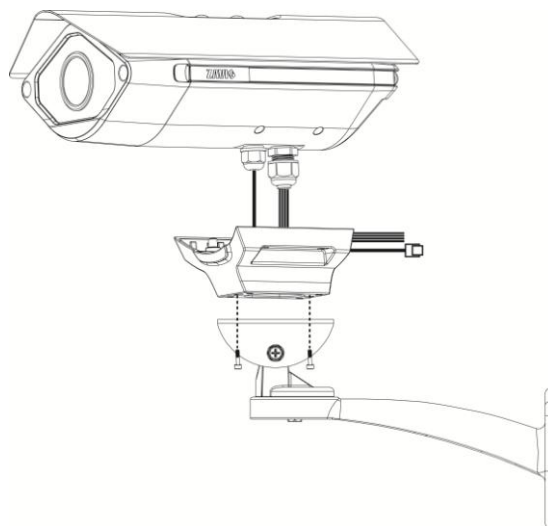
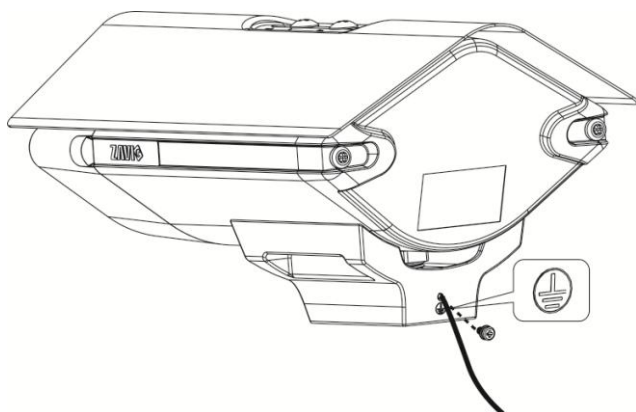


Figure 2

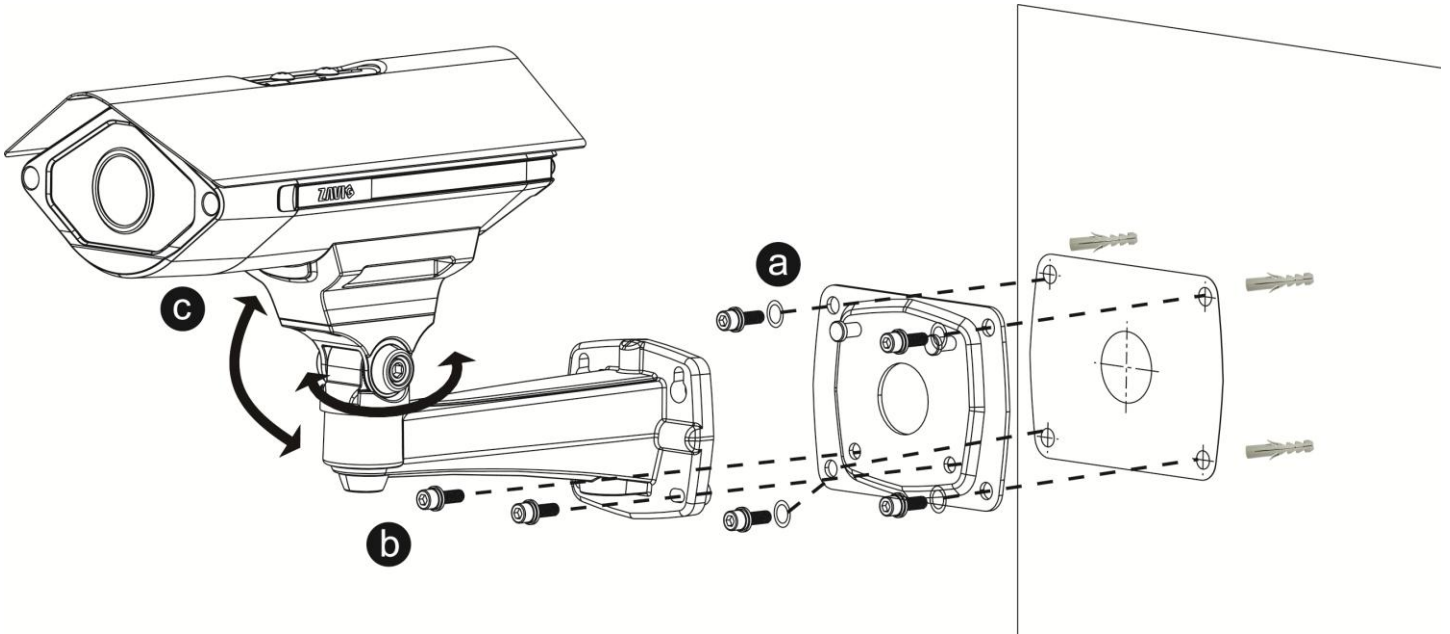
C. Connect Ground wire

Connect the ground wire to the IP camera's adapter and secure with supplied ground screw.



D. Wall mounting and Ceiling mounting

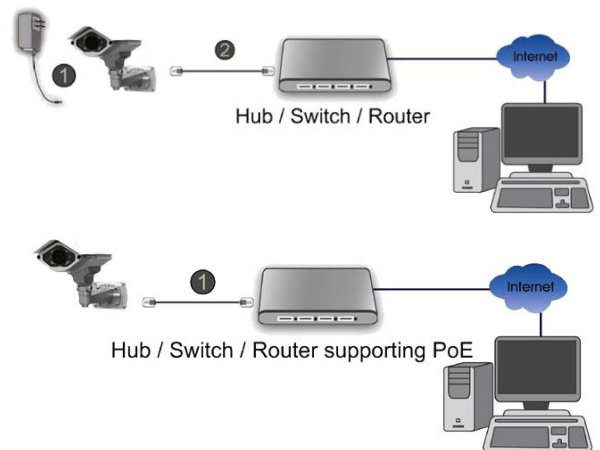
- a. Attached the alignment sticker to the wall. Drill five holes into the wall, which four for screws and one for cable. Then hammer the supplied plastic anchors into the screw holes and secure the mounting plate with supplied screws (T1/4"×32).
- b. Hang the wall mount bracket on the mounting plate and fix it with the supplied screws.
- c. Adjust the angle of the wall mount bracket to aim the shooting area.



E. Connect all cables

- a. Without Power over Ethernet (PoE) connection
 1. Connect the power adaptor to the IP Camera.
 2. Using a standard RJ-45 network cable, connect the IP Camera to a normal Hub/ Switch/ Router.
- b. Power over Ethernet (PoE)

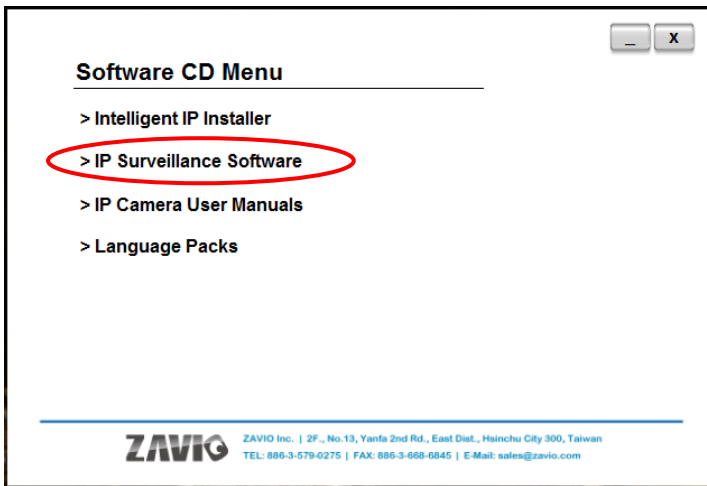
Using a standard RJ-45 network cable, connect the IP Camera to a PoE-enabled Hub/ Switch/ Router.



Microsoft OS: Use the software CD to install Intelligent IP Installer

Power on your PC and insert the CD-ROM. The setup page will show up automatically. Please follow these steps to install the firmware.

Select **“Intelligent IP Installer”** and follow the installation process to complete the installation.

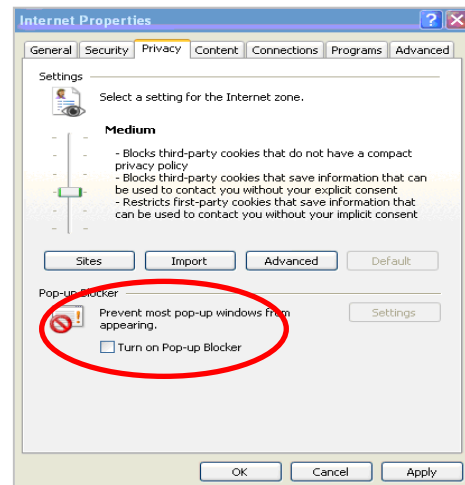
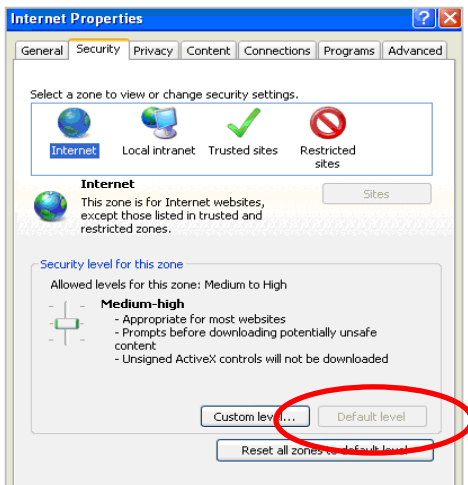


Access the IP Camera using Intelligent IP Installer

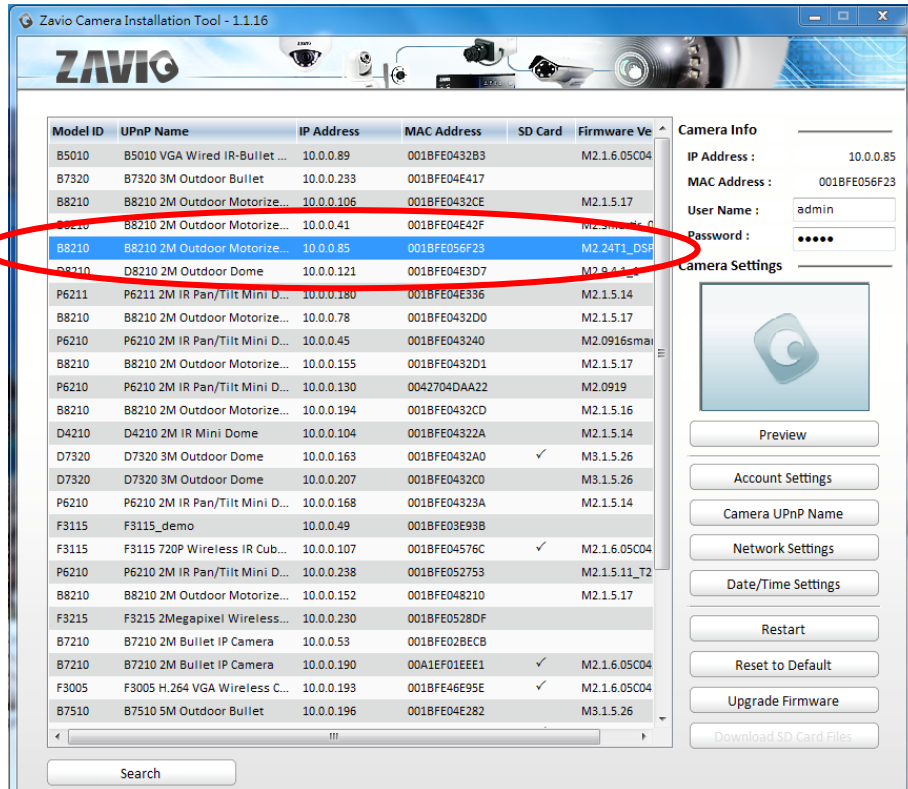
1. Please check two settings before using Intelligent IP Installer.

a. Browser's Internet Properties → Security
→ **Default Level**

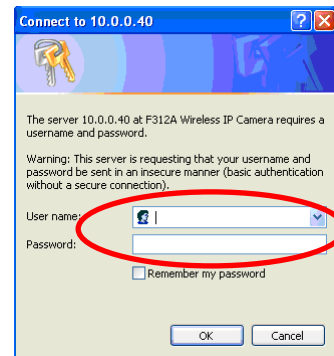
b. Browser's Internet Properties → Privacy
→ **Uncheck Pop-up Blocker**



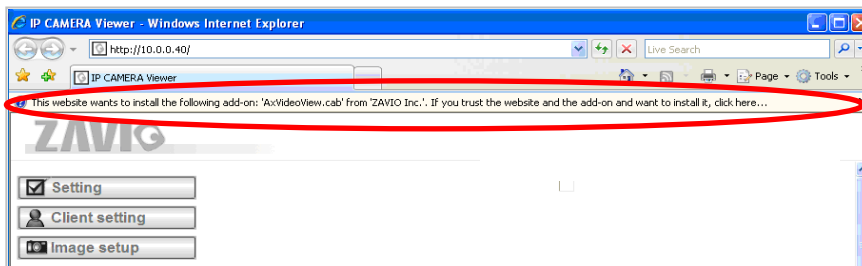
2. Click the Intelligent IP Installer Icon on your desktop. The main page will show up listing all active camera and video server devices. Select the relevant IP camera from the list and double click to link to IE.



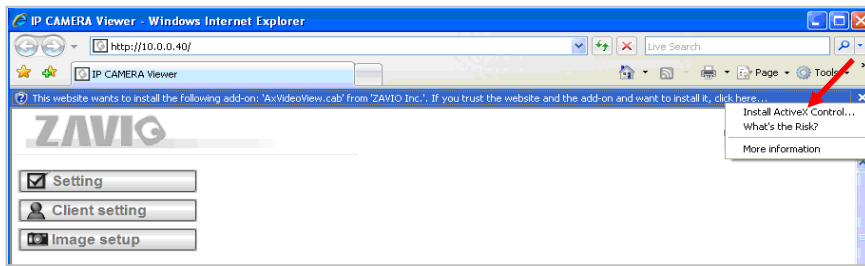
3. Enter your Username and Password to login to the IP Camera.
(Default is admin / admin)



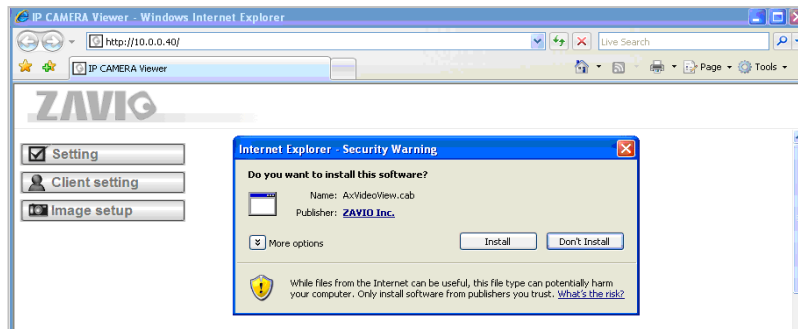
4. When accessing the IP Camera for the first time, a yellow information bar appears below the address bar: **This website wants to install the following add-on: 'AxvideoView.cab' from 'Zavio Inc'.**



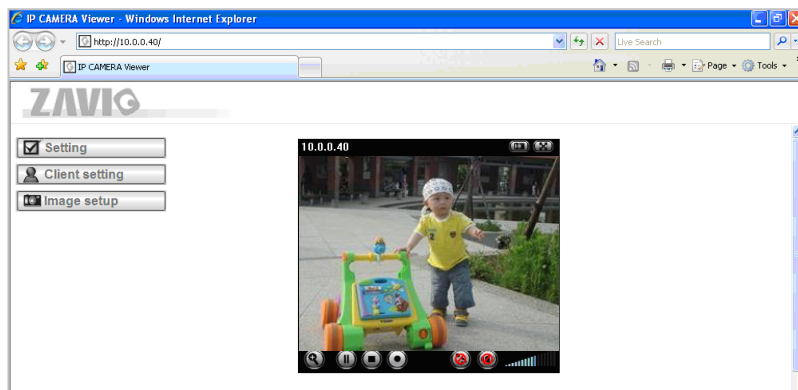
5. Click the information bar, and select **Install ActiveX control**.



6. Click **Install**.

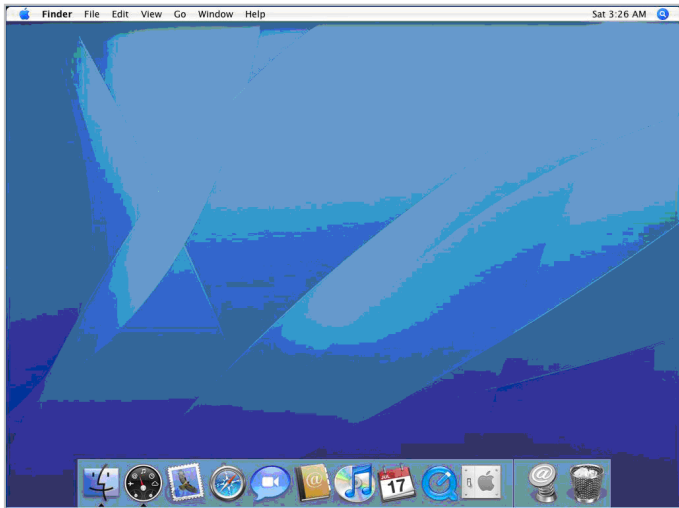


7. Live video displays in the centre of your web browser.

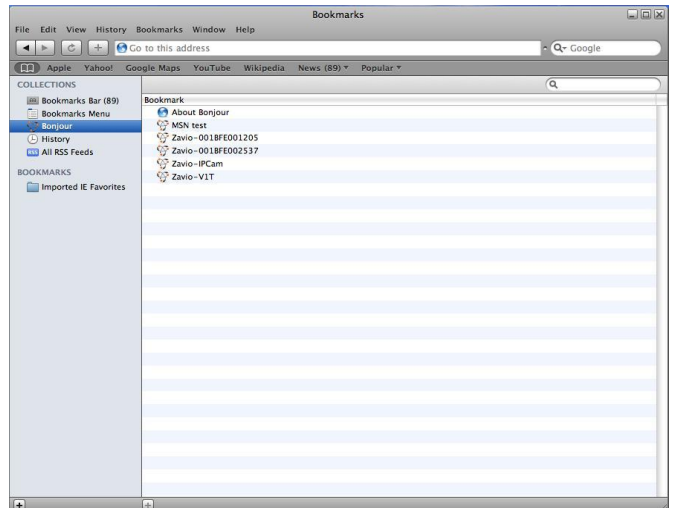


Mac OS using Safari Browser

1. Select Safari icon,



2. Click Bonjour function and select the camera you wish to access.



3. Enter name and password to login to the IP camera. (Default is admin / admin)



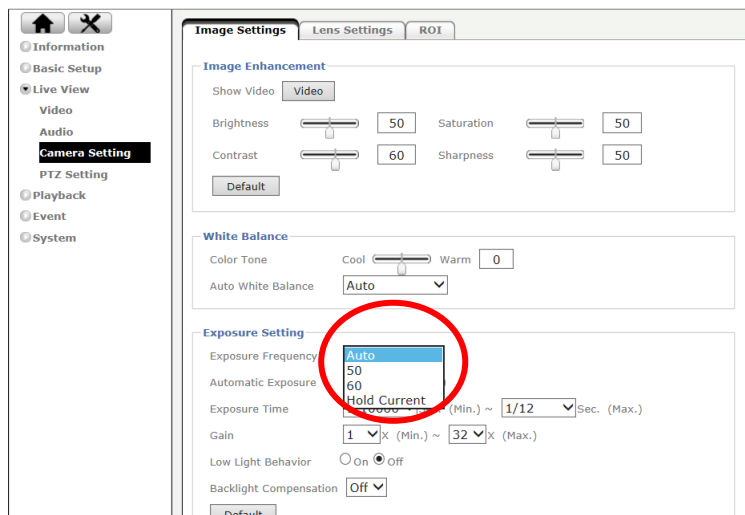
4. The monitor image will be displayed in your browser.



Lighting environment setting

The default setting of lighting environment is **Auto**. However, you may also select 50 or 60 Hz upon the lighting environment of your country.

Go to "Setting > Live View > Camera Setting > Image Setting", select the environment setting you wish.

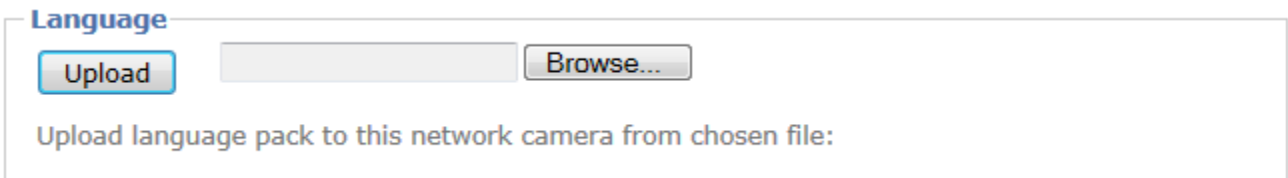


Change the Web Interface into your preferred language

Use the settings screen to set the language of the Web Interface.

Go to “Setting > System > Maintenance”.

1. Insert Software CD into your CD-ROM.
2. Browse and select the preferred language from language pack in the Software CD and then click OK.
3. The web interface will change into your preferred language.



Application of IP Camera

